

LEDI® PILOT box



**LEDI® PILOT box is an Ethernet-connected programmer.
It is configurable and monitored via Ethernet network, equipped with relays for bells, lighting...**

Functionality

- Automatic time setting at power-up. (depending on NTP configuration).
- Automatic Daylight Saving Time Switching
- Programming of switch time via calendar.

Supervision

- Communication via Ethernet, easy configuration on web page.
- Supporting SNMP V1, V2.c et V3.

Security

- Backup of time information by lithium battery.
- Configuration backup file on flash memory.
- Functionality via Ethernet is encrypted and/or can be disabled.

Specifications

Power supply	PoE (Power over Ethernet) 100-240 VAC/50-60Hz
Certifications	CE, EN 60950 (safety), EN 55022 (EMC Transmission), EN 55024 (EMC immunity)
Maximum Consumption	2.5W + 0.2W par closed relay
IP	IP40 – IK9
MTBF	40 000h
MTRR	5mn
Weight	0.6kg
Dimensions	L 220 X H 94 X D 47mm
Housing	Aluminum
Display	LED indicator
Operating temperature	0° to 50°C
Storage temperature	-20° to 70°C
GT pilot box software	Windows XP SP3, Server 2003 SP1, Vista, 7, 8 or 10.

Key Features

- Configuration of programmer and time setting via web page.
- Compact size.
- Easy programming of relays with the GT Pilot Box Software (Windows OS)
- Management of exceptions, switch function ON/OFF or Pulse
- Programming of LEDI® Pilot box by group (dozen of boxes controlled from one PC equipped with GT Pilot Box software).
- Pulse mode for relay triggering: starting from 1 second.
- Number of events per relay: a few hundred excluding recurrence.
- Supervision via SNMP v1, v2c, v3.
- Secured programs by configuration backup file on flash memory.

Synchronization input/ Time source

- NTP v4 via Ethernet 10/100Base T (RJ45 port).

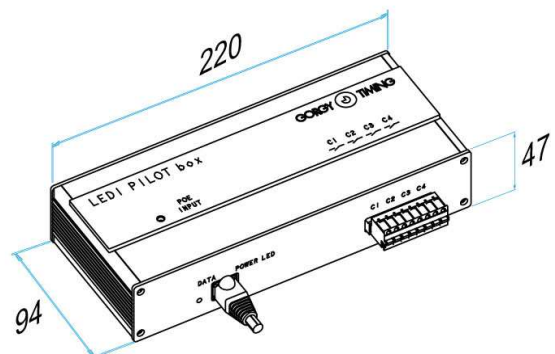
Power supply

- PoE (Power over Ethernet).
- Optional : PoE injecteur 100-240VAC power input.

Programmer

LEDI® PILOT box allows scheduling of public holidays and vacations, it operates on "Pulse" mode or "ON/OFF" mode.

- Management by Calendar (GT Pilot box software).
- Easy programming of relays through calendar (GT Pilot box Software).
- 4 independant relays, voltage-free output, breaking capacity 250 Volts 8A.
- Configuration by group.



LEDI® PILOT box

		Item code	
LEDI PILOT box			
NTP input	<input type="checkbox"/>		
Power over Ethernet (PoE)	<input type="checkbox"/>		
Standalone Aluminum Case	<input type="checkbox"/>	92234	
4 relay outputs 250V/8A 2Kw			
ACCESSORIS			
PoE Injector – 1 power input 90VAC-264VAC	<input type="checkbox"/>	92234-I	
Wall mount plate	<input type="checkbox"/>	92234-M	
Rail DIN mount plate	<input type="checkbox"/>	92234-R	

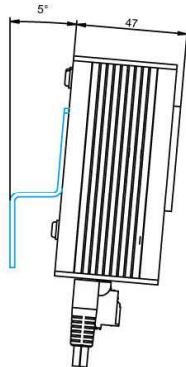
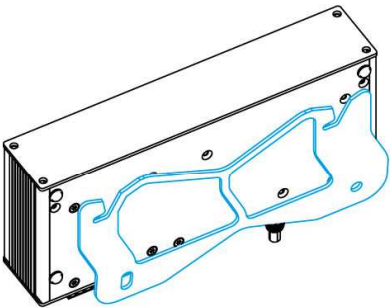
PoE Injector



GT Pilot box software



Wall mounting support



Rail DIN mounting support

