



LEDI® 5

Indoor / Single face

NTP POE



Professional LED clock, robust and stylish combining the best of the technology for an easy installation and operation.

Time setting

The professional LEDI® clocks can display the same time information, synchronized by a master clock or a time server.

Internal time base

La LEDI® possède sa propre base de temps TCXO compensée en température offrant une précision de 0,1 sec / jour entre 0° et 40°C en cas de perte de synchronisation.

Security

Backup of time information in case of mains absence, by lithium battery: 10 years.

Specifications

Power supply	PoE (Power over Ethernet)
Certifications	CE, EN 62368, EN 55032, EN 55035, ROHS
Maximum consumption	13.66 VA
IP	30
MTBF	56 000 h
MTTR	Display: 5 min CPU: 5 min Power supply: 5 min
Weight	~ 1kg
Dimensions	According casing (see drawings)
Digit height	Hour/minute: 50 mm
Maximal distance of legibility	25 meters
Operating temperature	-20° to 50°C
Electrical equipment classification	⚡ Class 3

Storage conditions

Conditions	Temperature	Hygrometry	Maximum cumulative duration
Extreme	-20°C to 10°C	10 to 85% HR	48h
Extreme	40°C to 70°C	10 to 85% HR	48h
Normal	10°C to 40°C	10 to 85% HR	6 months

The product must be switched on for 4 hours every 3 months to maintain its characteristics*.

*see user guide for more information

Key features

- **Perfectly silent, direct and accurate** reading of time.
- **SMD bi-colour LED technology** allows to change the display colour in red, green or yellow
- **The patented technology of the light guide** provides a perfect regularity of the brightness and viewing angle at 160 °
- **The front face of the LEDI® is coated with an antiglare and anti-scratch film** giving an extraordinary 60000 : 1 level of contrast.
- **An anodized aluminium case** wall mount or flush mount
- **A protection against over-voltage** and industrial interference via EMC filter
- **An easy "plug and play"** installation
- **Its participation in the sustainable development life span over 20 years.**
- **2 years warranty**
- **Up to 10 brightness levels** for optimal viewing
- **Remote and batch configuration** via the optional "remote configuration" software
- Selection of colours (independently between wave and numbers) and brightness
- Behaviour of central dots (fixed, blinking...)

NTP Version

Standard Version

- Synchronisation of up to 3 NTP servers
- Time zone selection and automatic summer/winter time change
- Supervision by SNMP v1, v2.c
- Configurations accessible via http and/or https
- IPv4 / IPv6 protocoles

Display / LED characteristics

Single row LED display, SMD technology, reading angle: 160°

bi-colour (red, green) LED	
• Red: 245 mcd	• Yellow
• Green: 780 mcd	

Synchronisation inputs

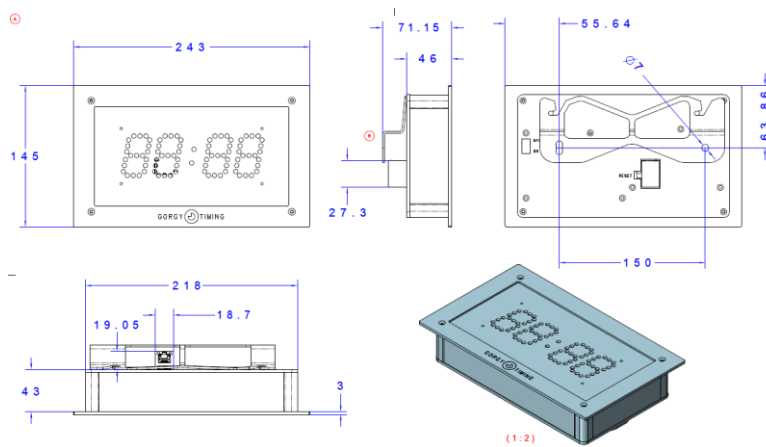
- NTP Ethernet 10/100BaseT on RJ45

LEDI® 5 Indoor / Single face

NTP POE

		ITEM CODE					
		N352					
		↑	↑	↑	↑	↑	↑
VERSION							
NTP Synchronization Version (Ethernet RJ45 10/100) <input checked="" type="checkbox"/>		N					
PROGRAMMABLE LED							
Selectable colour, red, yellow, green <input checked="" type="checkbox"/>		1					
MOUNTING							
Standard: Wall mounting with bracket <input type="checkbox"/>			1				
*Flush mounted <input checked="" type="checkbox"/>			3				
COLOUR CASING							
Grey anodised aluminium <input type="checkbox"/>				7			
POWER SUPPLY							
Power over Ethernet (PoE - IEEE802.3af) <input checked="" type="checkbox"/>						7	
OPTION							
PMMA front face for flush mount casing (*to be combined only with the flush mount casing)		M11500566U1					

Wall Casing



Flush mount casing

